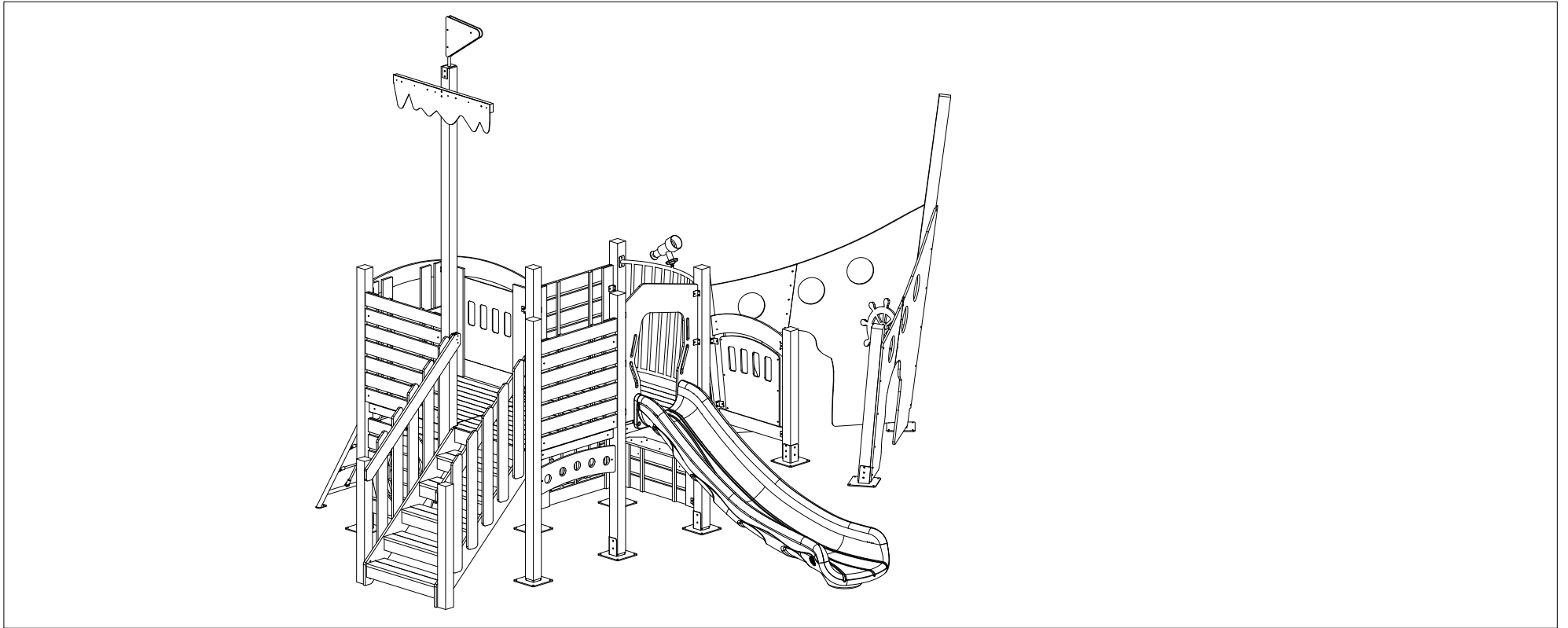


# Assembly Instructions



Item name: Berlin Corsair-Physical Activity Set B

Item code: HW1-BL22008-A

## Assembly Instructions

1. Before installation, ensure that the site meets the below installation requirements.

1) Confirm whether the site has obvious slope affecting the installation. (The height difference of the concrete floor should not be more than 5cm, and the grass should be leveled when installing the equipment.)

2) Confirm whether there are immovable obstacles in the site and whether the site size conforms to the installation of this product (use zone shall be retained).

3) For the concrete floor, the post needs to be fixed to the ground with expansion screws. Ensure that the thickness of the concrete is more than 12cm (Concrete Strength $\geq$ C30).

4) For the grass ground, it will need to dig a hole with at least 60CM deep for the post installation. Please check whether there are water, electricity, gas pipe and other factors under the site that may affect digging.

5) A minimum of five adults are required for assembly.

Only after the above conditions are met can the installation be performed. If necessary, please contact our company for technical support.

2. Product unpacking confirmation

When unpacking the product, please handle it with care. Protective flooring such as soft pads and cardboard should be laid at temporary storage site to prevent potential damage. If any components are damaged due to logistics, please contact the company to replace it in time, so as not to affect the installation.

3. Confirm the installation position of the product

Before installing the product, confirm the installation position with the customer. It is suggested to place the wall panels, fences and posts horizontally on the ground according to the design drawing to simulate the installation position, and confirm the use zone between the product and the surrounding area (no less than 183CM). After the customer's confirmation, install the products in the established position.

4. Notes

1) Children should be kept away from the product during incomplete installation, disassembly or maintenance to ensure safety. All screws should be tightened after assembly.

2) The expansion screws fixed to the ground need to be processed as the last step, and the product needs to be adjusted properly before fixing the expansion screws.

(1) Ensure that the post is vertical and does not tilt.

(2) Stand in the distance to see the posts in the same direction in a straight line (see from different directions), to ensure the product in good looking.

5. Installation tools

1) Impact drill, M12 impact drill bit, length not less than 12CM.

2) Suggest to equip with cordless screwdriver to speed up the construction schedule.

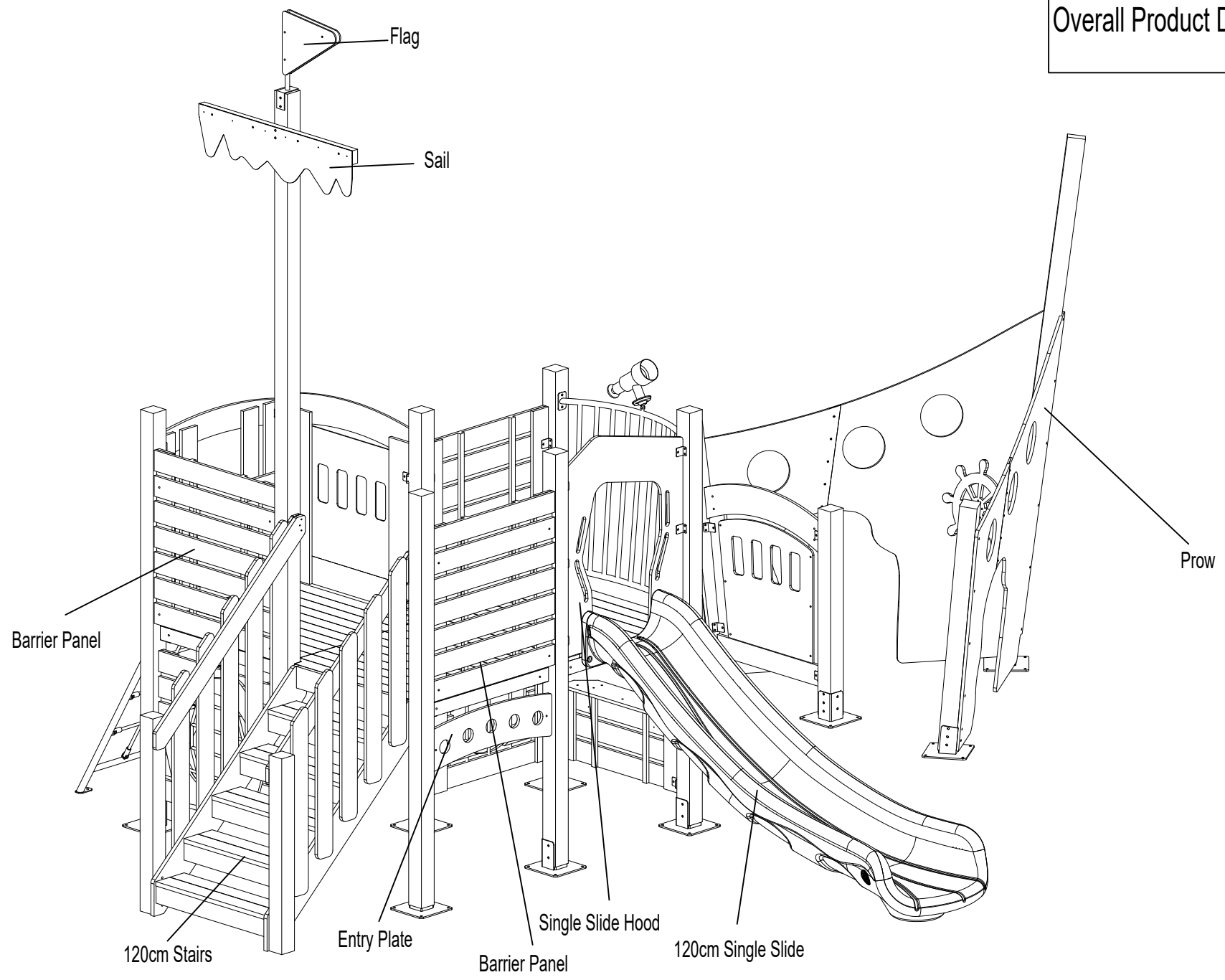
3) Scaffolding is recommended to facilitate the installation of square roof and hex roof.

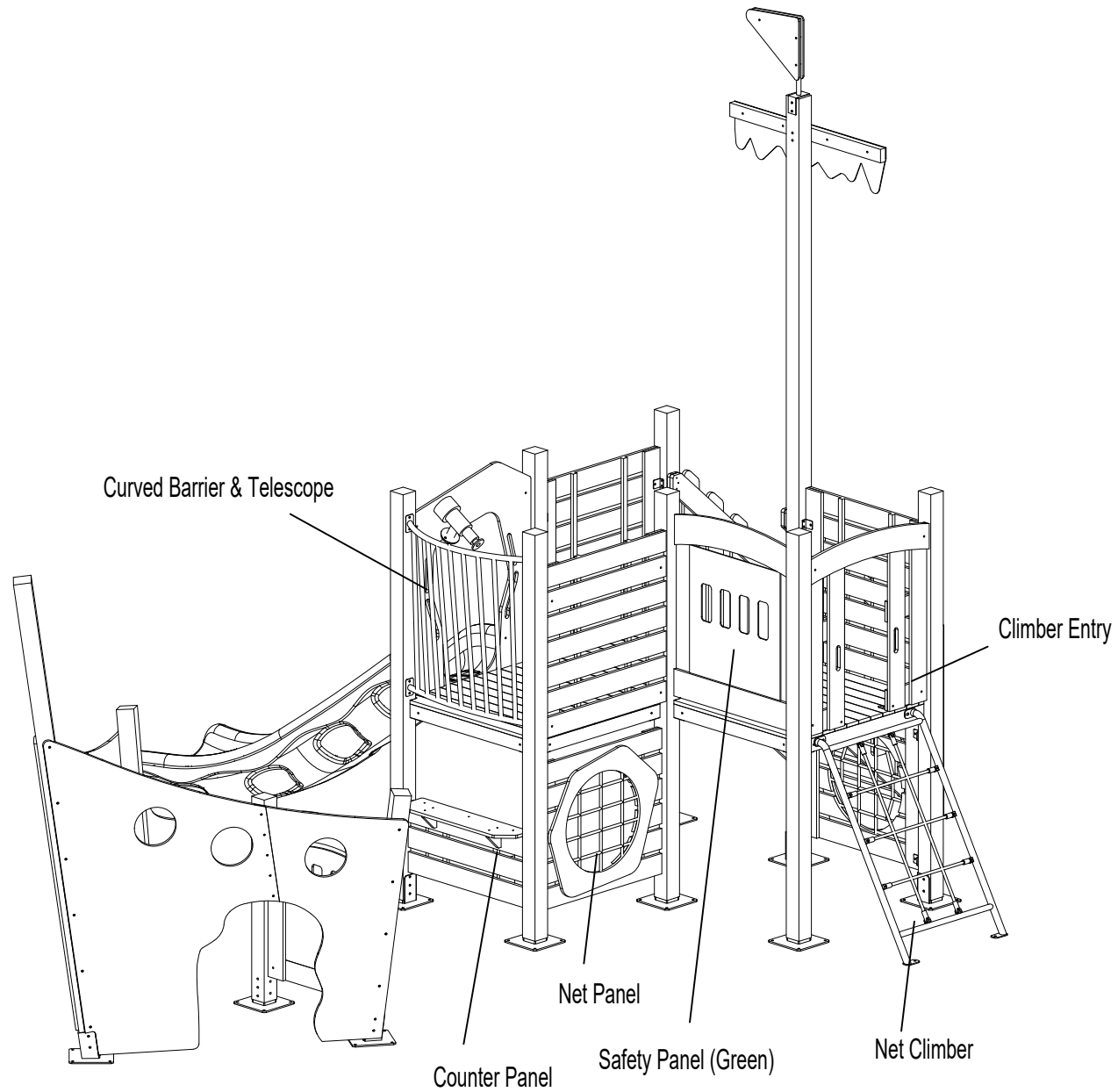
If the site is the grass ground, the following tools should be equipped.

1) Laser level (when digging and pouring concrete to ensure that the posts are at the same level.)

2) Digging tools, such as spade, hammer, etc. (Small excavator is recommended.)

3) String (It is used to help locate the position.)

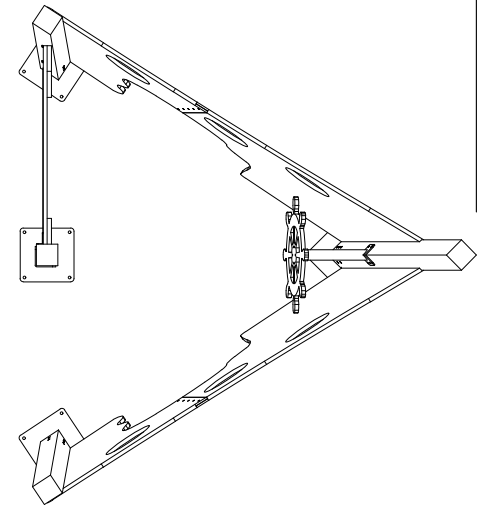
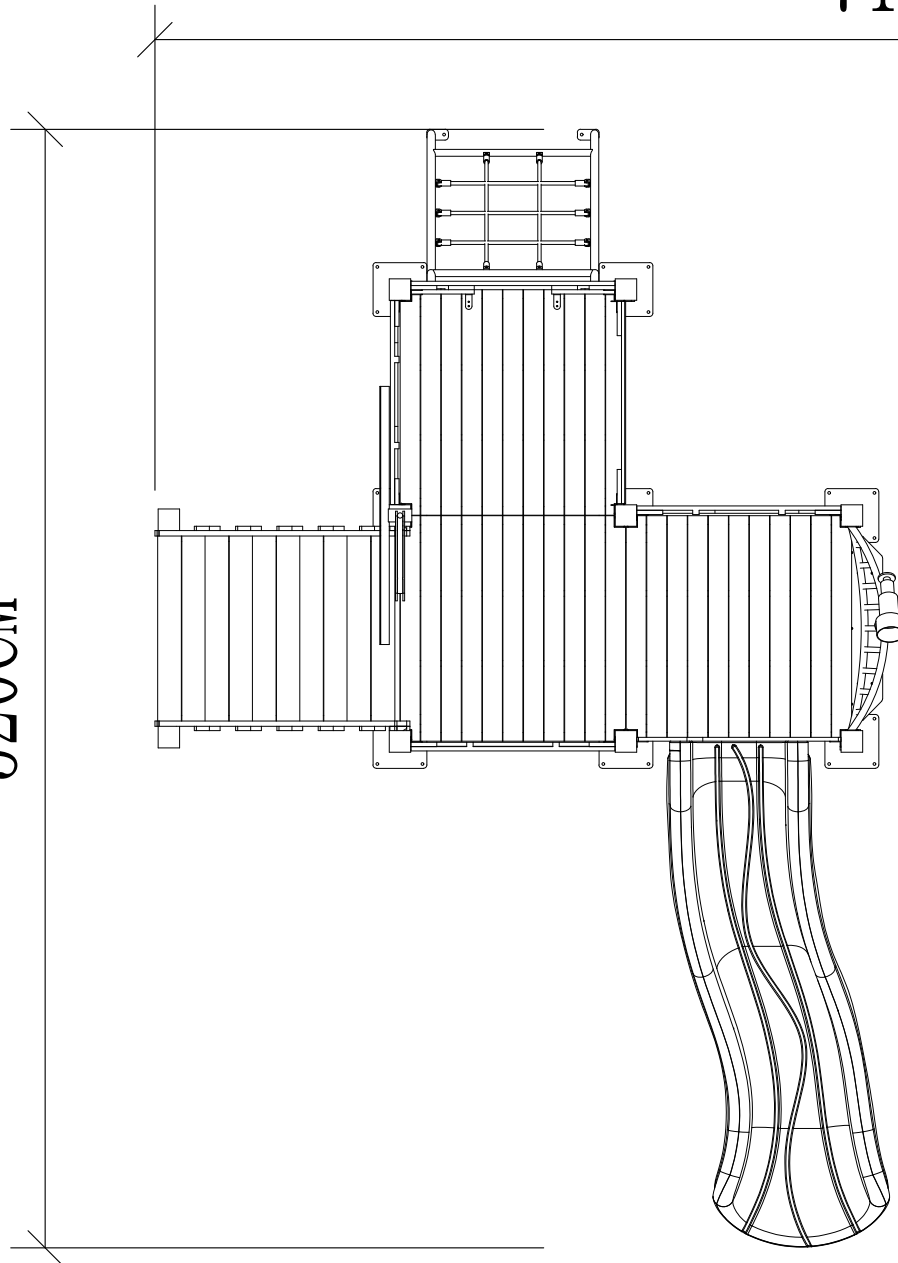


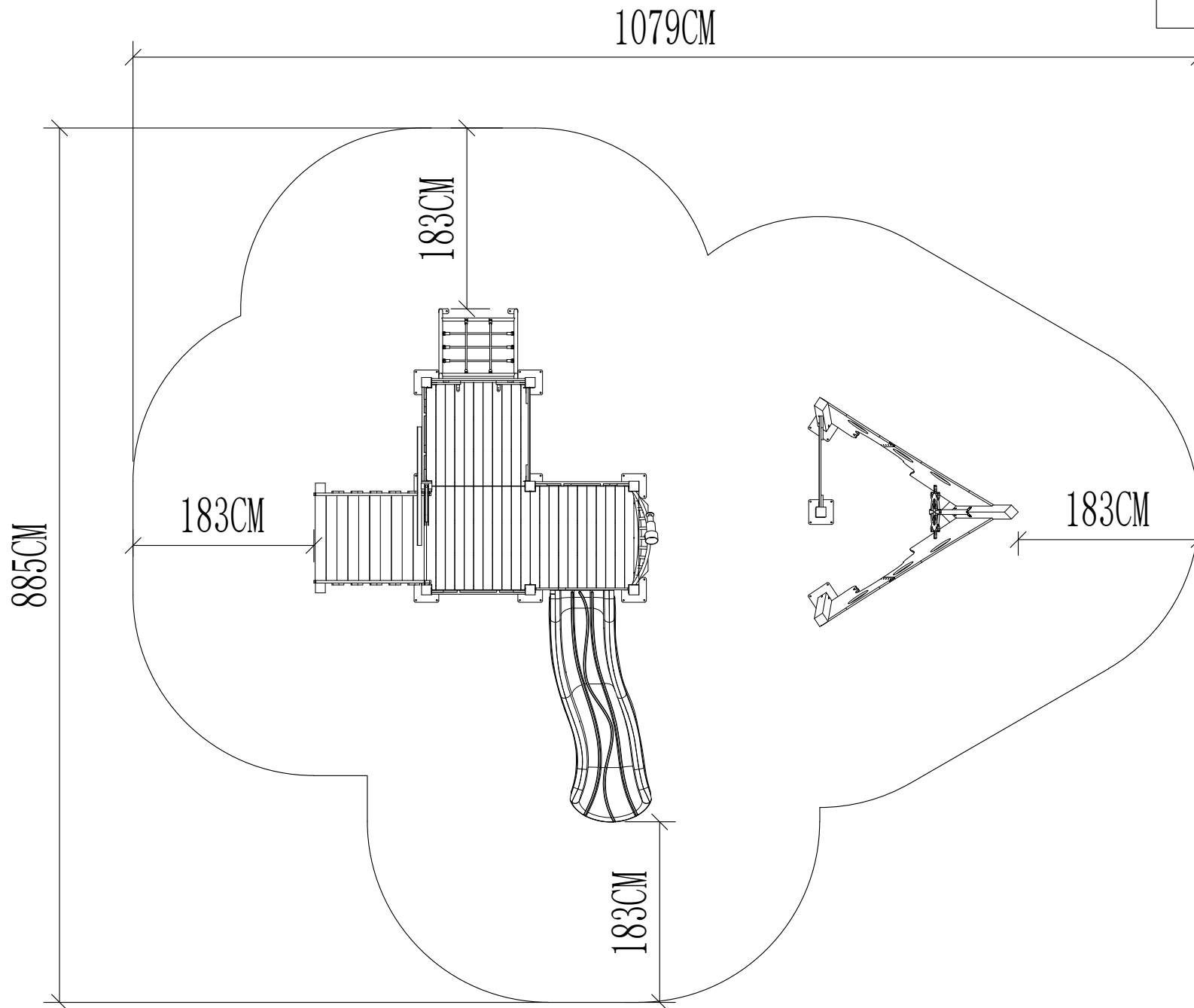


Overall Dimension

713CM

520CM



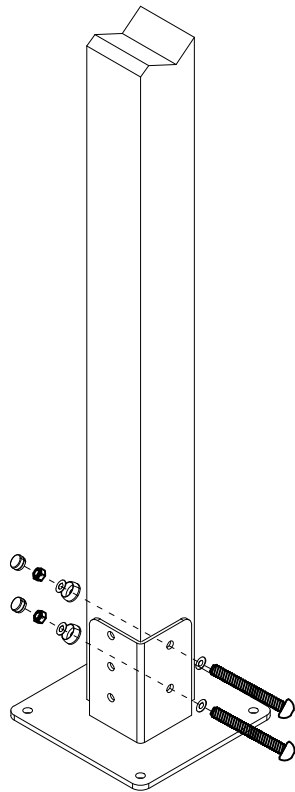
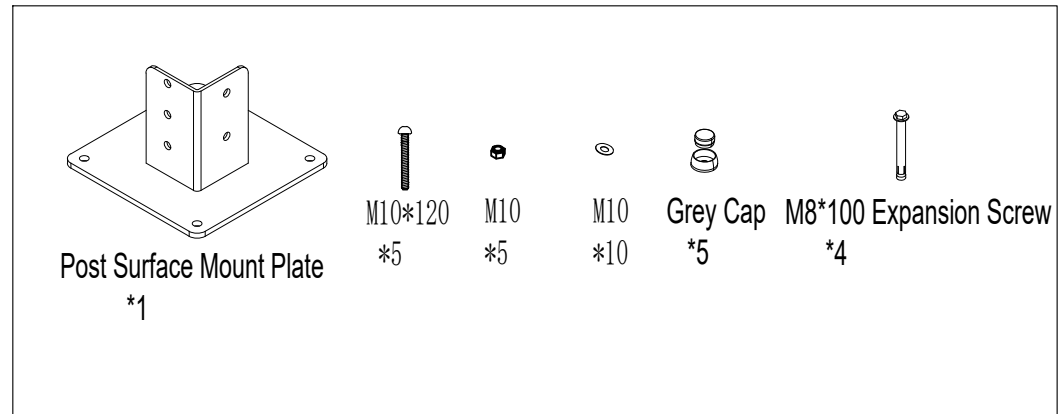




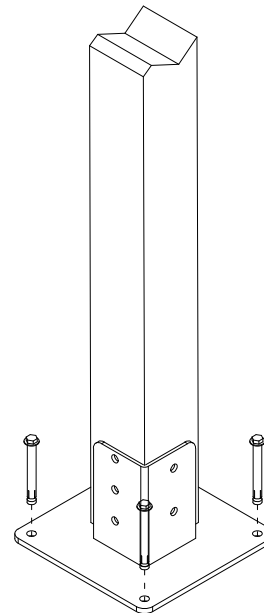
## Hardware List

### Solid wood post fixing method

Applicable condition: For concrete floor assembly only. The protection surfacing should be applied according to safety standards.



Step 1: Fix the surface mount plate to the post with 10\*120 screws



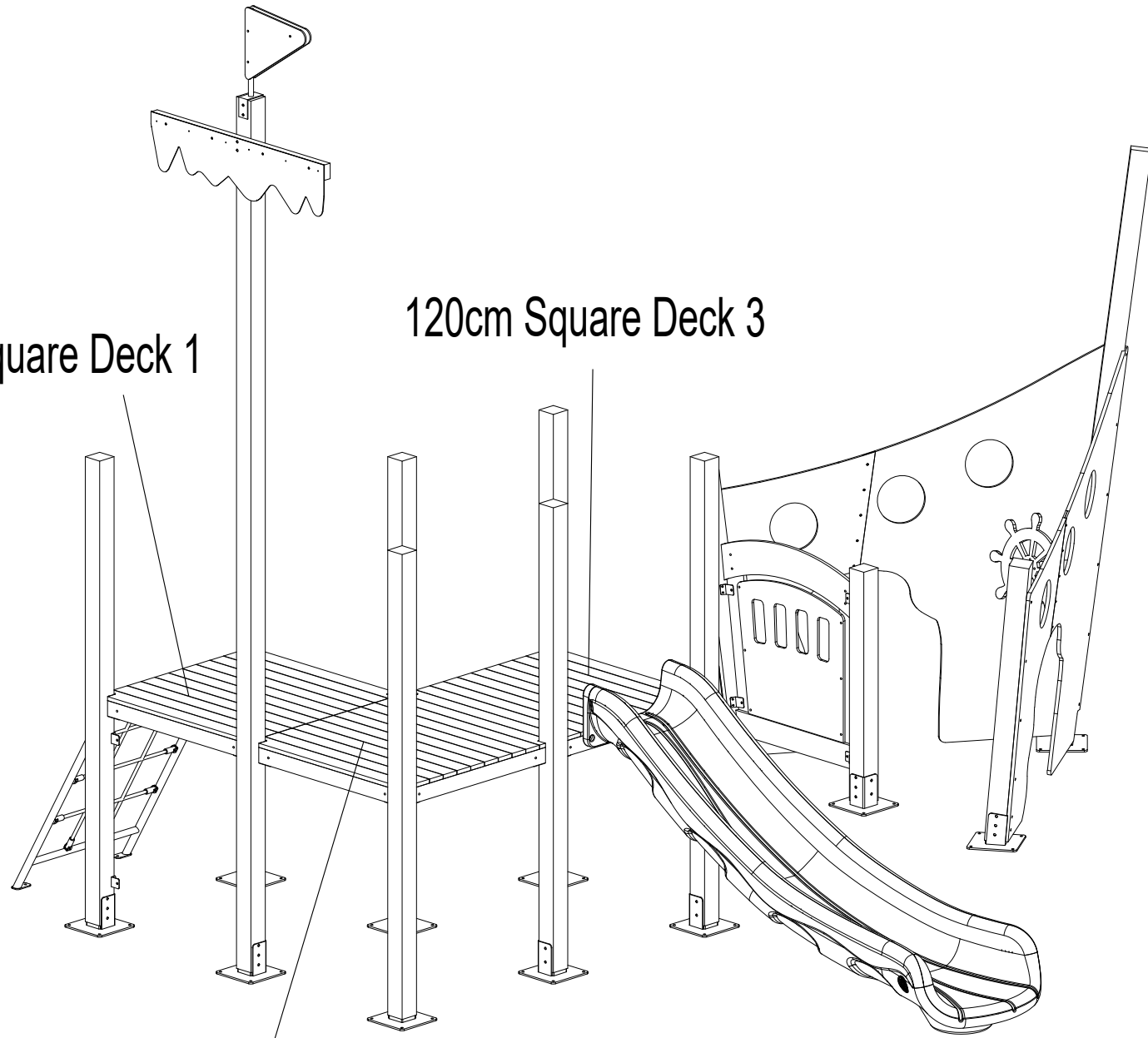
Step 2: After the product is assembled, use percussion drill to drill M12\*120 holes in the concrete floor through the holes of surface mount plate. Then use M8\*100 expansion screws to fix the surface mount plate to the concrete floor and and tighten the expansion screws.



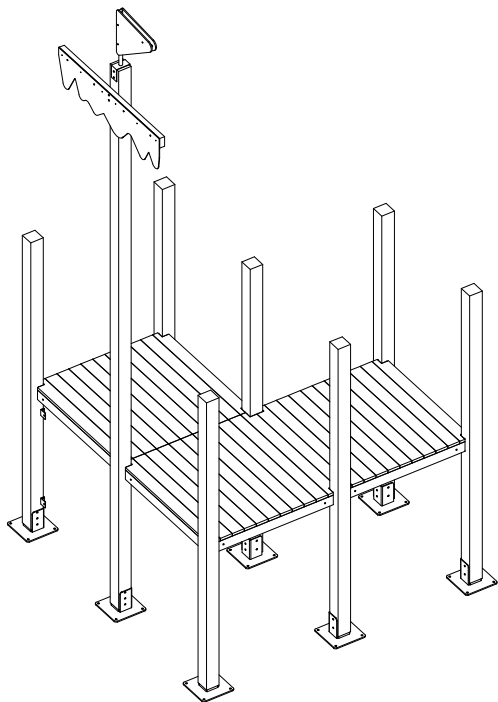
120cm Square Deck 1

120cm Square Deck 3

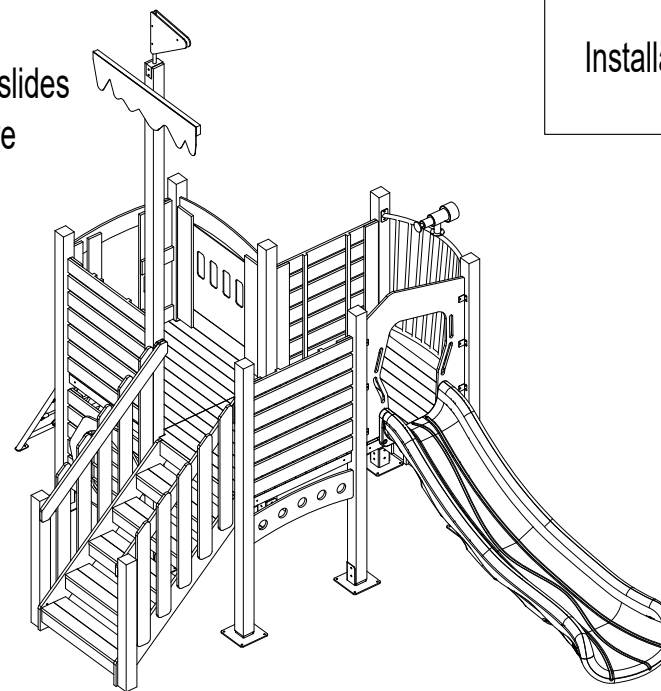
120cm Square Deck 2



Step 1  
Install the sail, flag  
and 3 x 120cm  
Square Deck

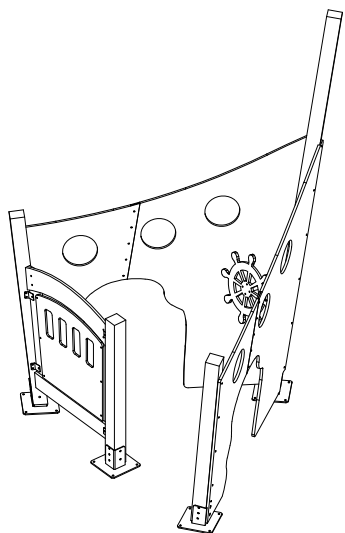


Step 2  
Install the panels, slides  
and stairs as above  
drawing.

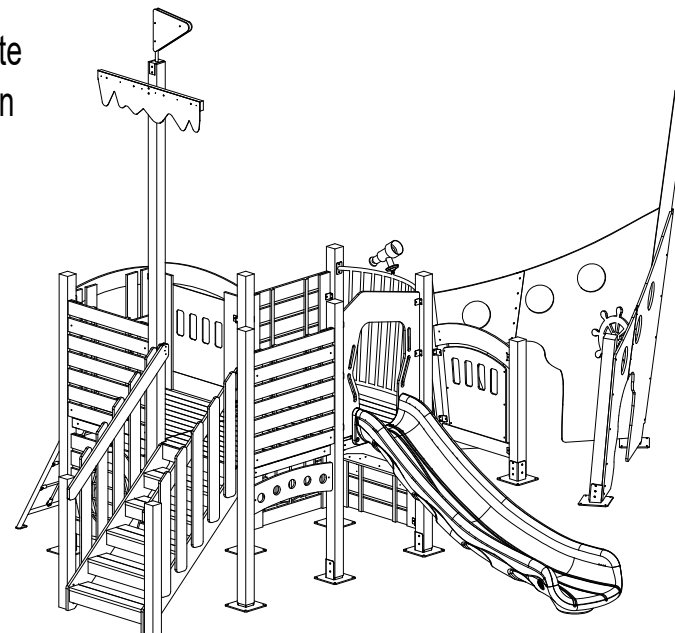


Installation Step

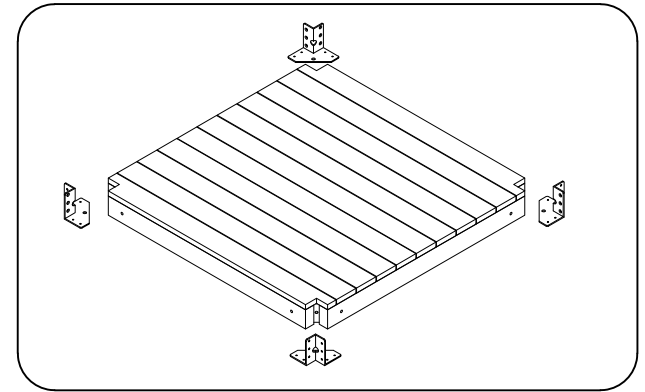
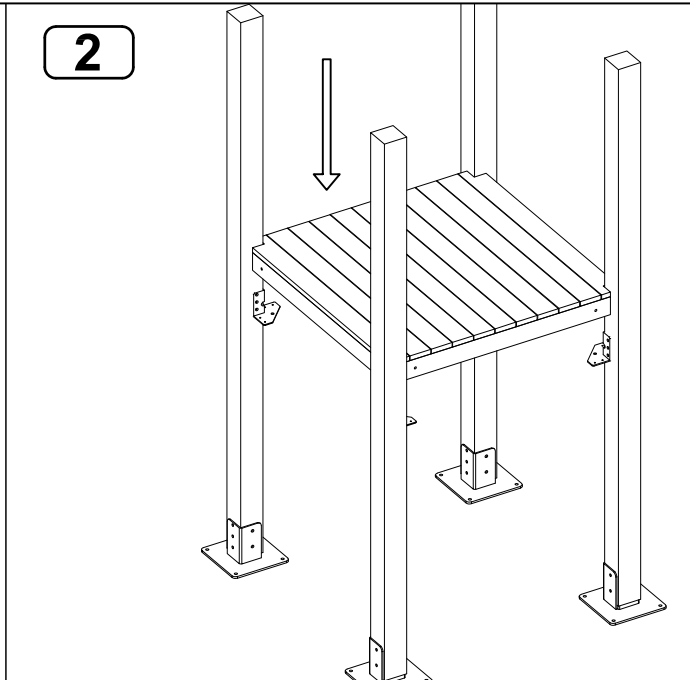
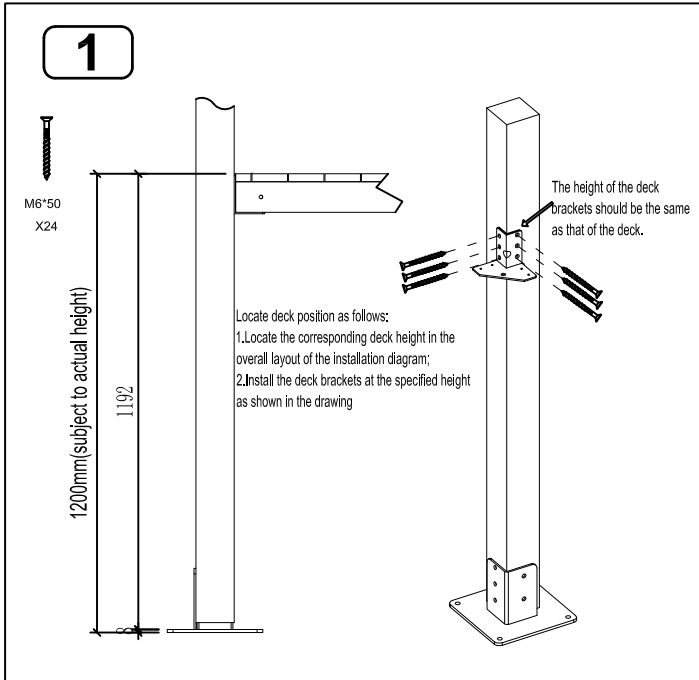
Step 3  
Install the prow.



Step 4  
Post surface mount plate  
fixing - fix the expansion  
screws

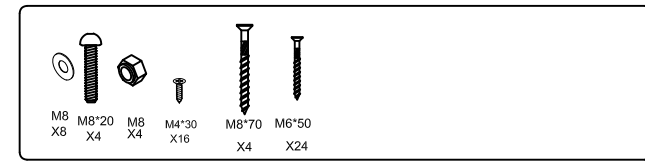
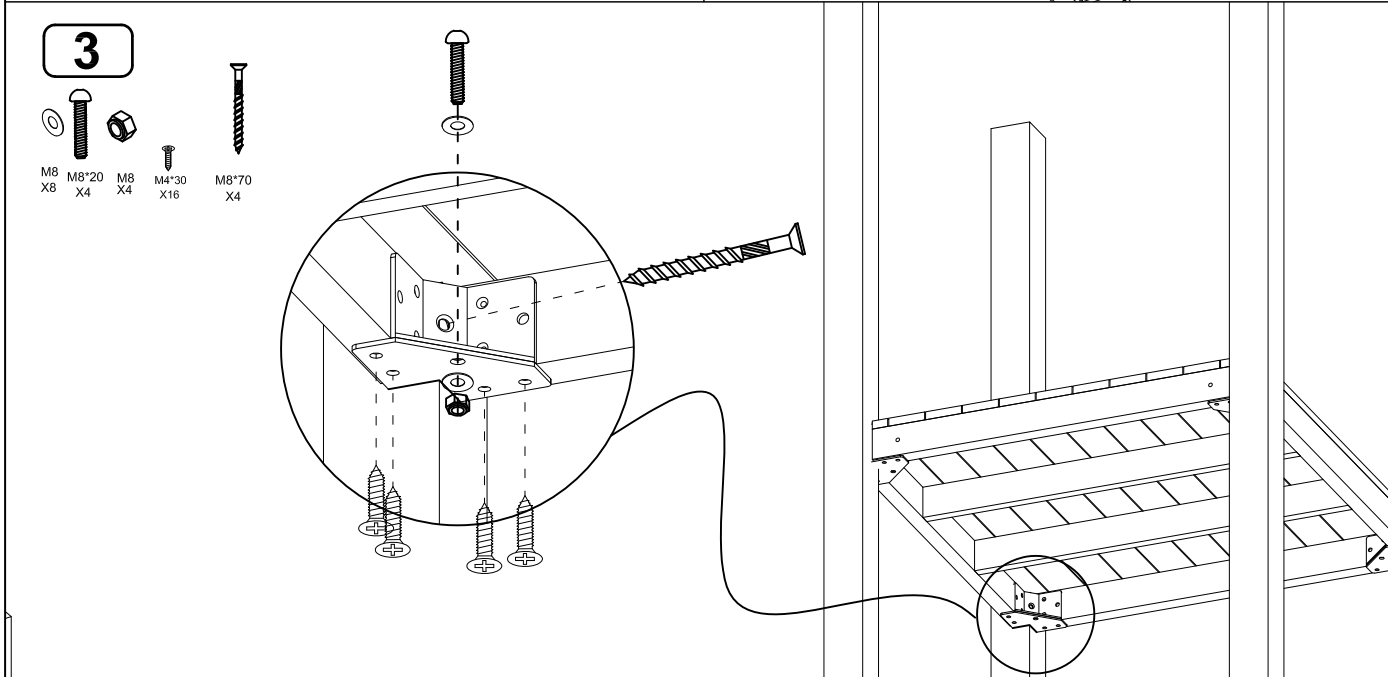


64SW41-001  
Square Deck



Use the corresponding hardware.

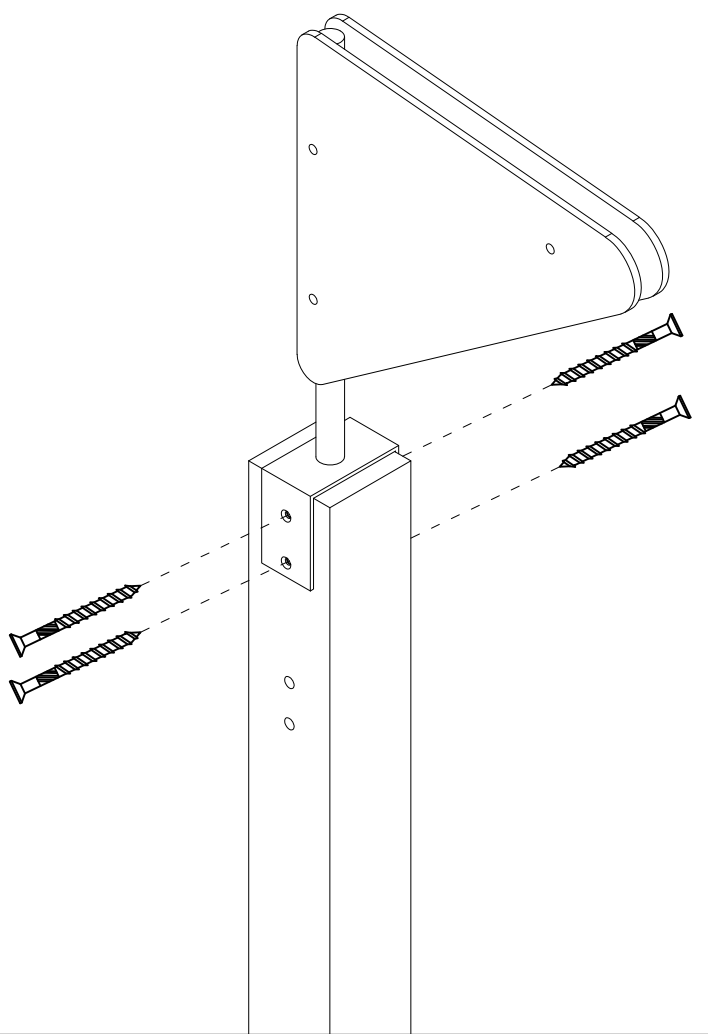
64SW41-001-BJ01 Square Deck - Hardware Package



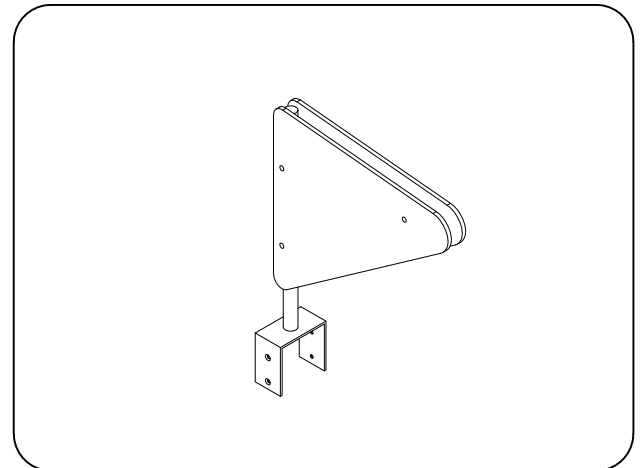
1



M6\*50  
X4



80PE-021  
Flag

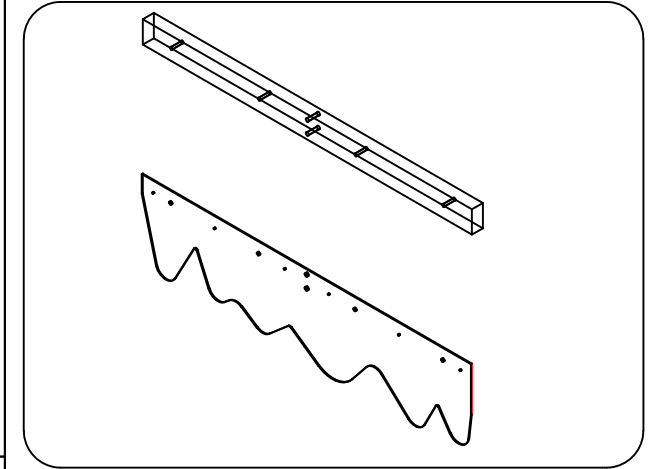


80PE-021-BJ01 Flag- Hardware Package

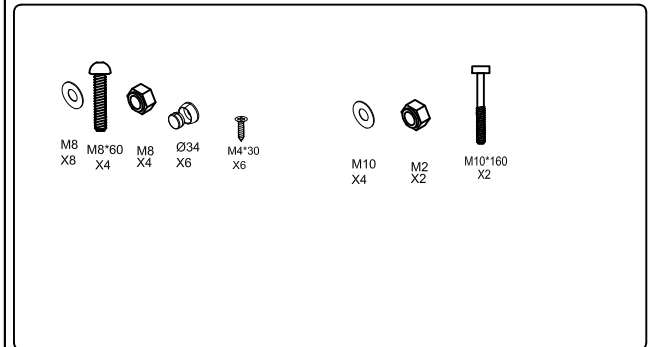


M6\*50  
X4

80PE-020  
Sail

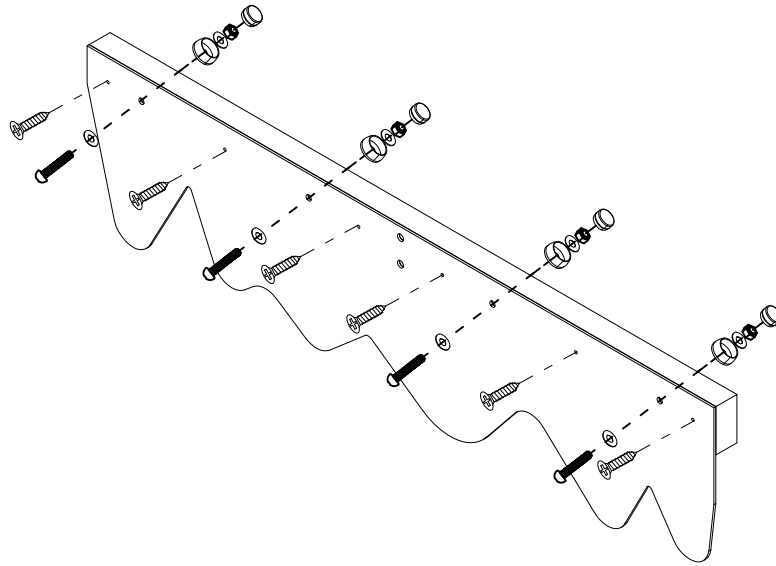


80PE-020-BJ01 Sail - Hardware Package



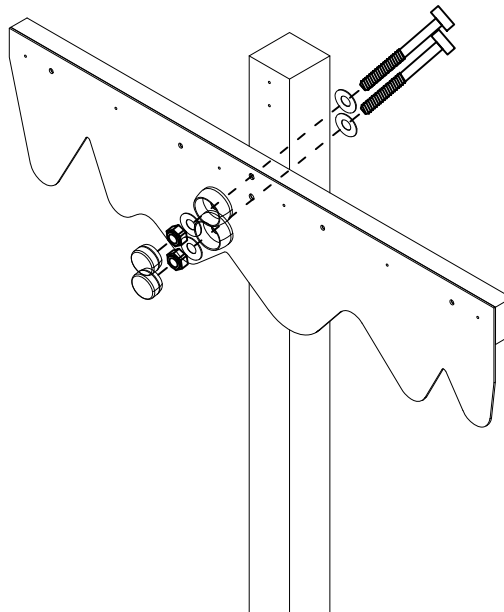
1

- M8 X8: 1 screw
- M8\*60 X4: 4 screws
- M8 X4: 4 nuts
- Ø34 X4: 4 washers
- M4\*30 X6: 6 screws

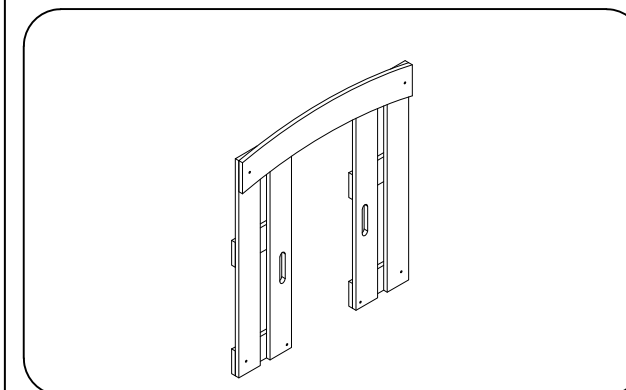


2

- M10 X4: 4 washers
- M2 X2: 2 nuts
- Ø34 X2: 2 washers
- M10\*160 X2: 2 screws

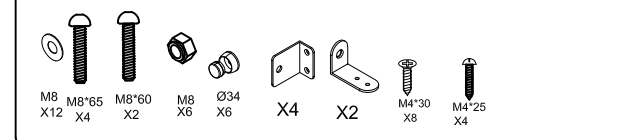


# 66RW41-018 Climber Entry

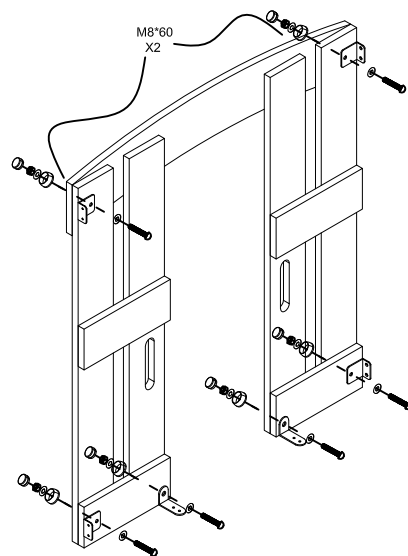
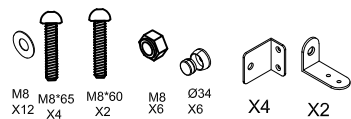


Use the corresponding hardware.

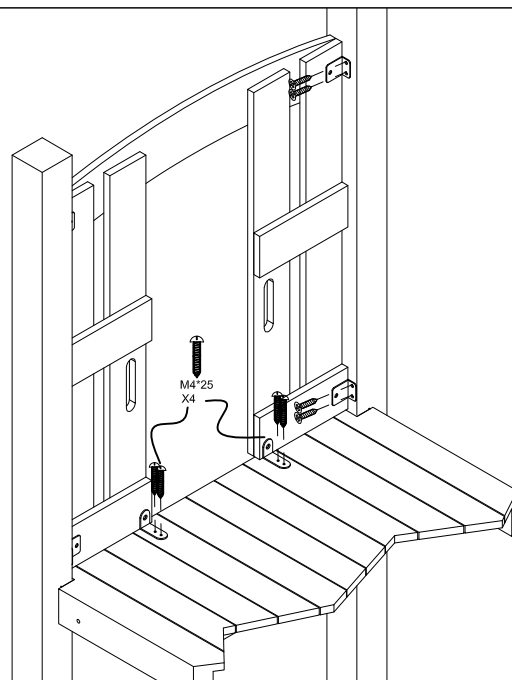
## 66RW41-018-BJ01 Climber Entry - Hardware Package



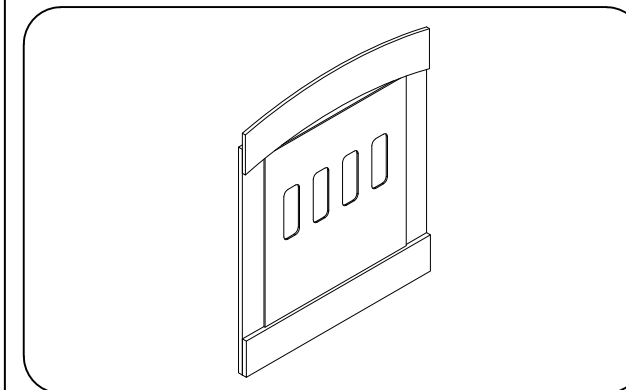
### 1



### 2

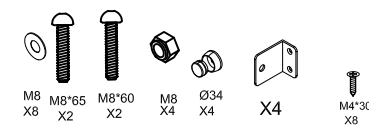


### 66RW41-017 Safety Panel (Green)

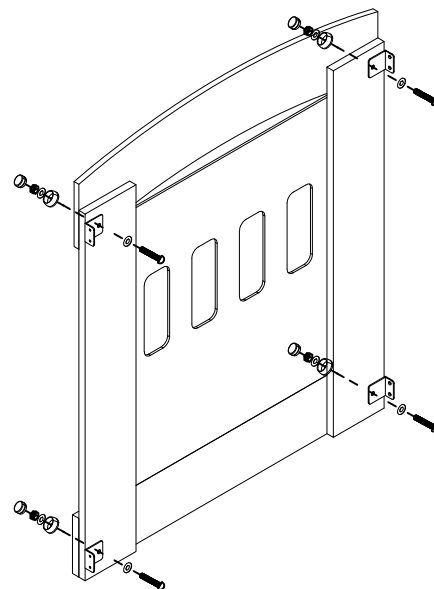
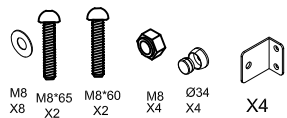


Use the corresponding hardware.

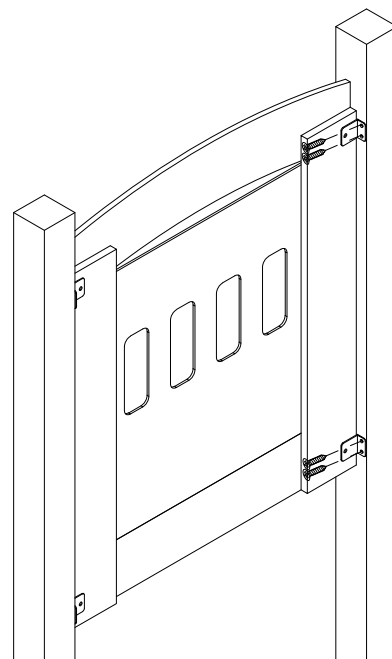
66RW41-017-BJ01 Safety Panel (Green) - Hardware Package



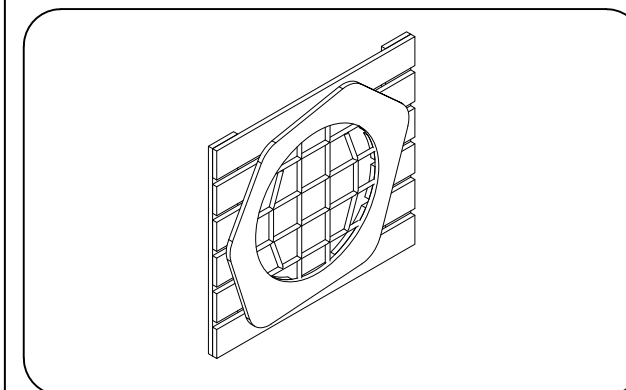
1



2

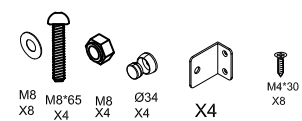


### 66RW41-015 Net Panel

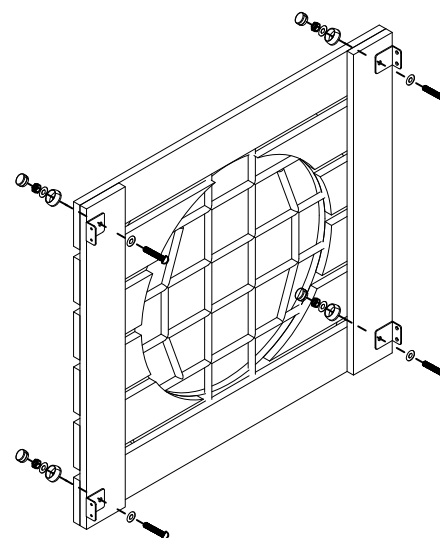
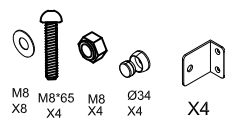


Use the corresponding hardware.

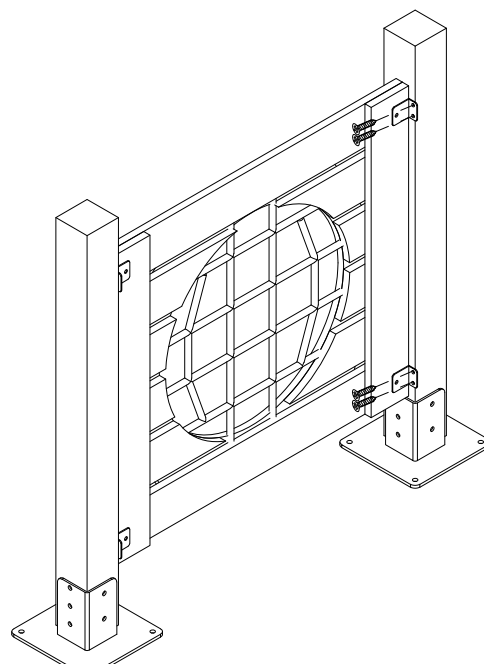
#### 66RW41-015-BJ01 Net Panel - Hardware Package



1

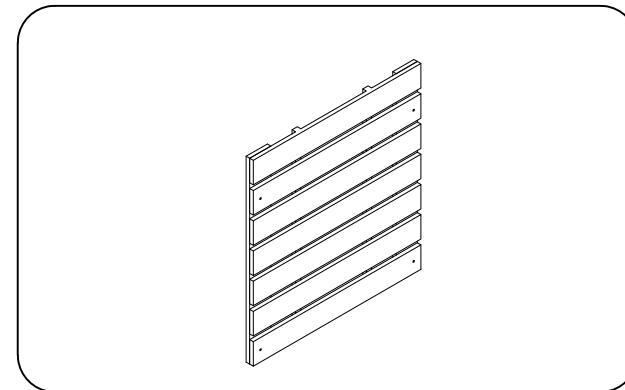


2



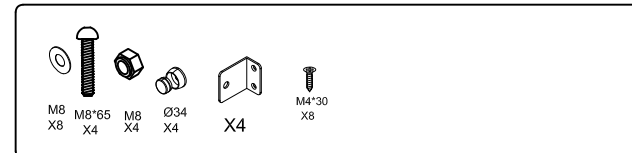


### 66RW41-014 Barrier Panel

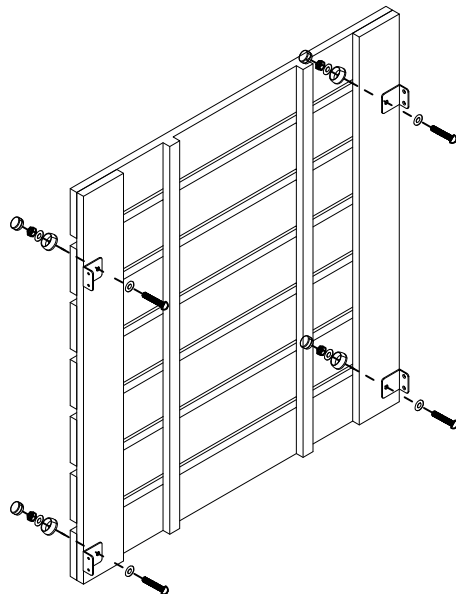
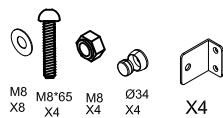


Use the corresponding hardware.

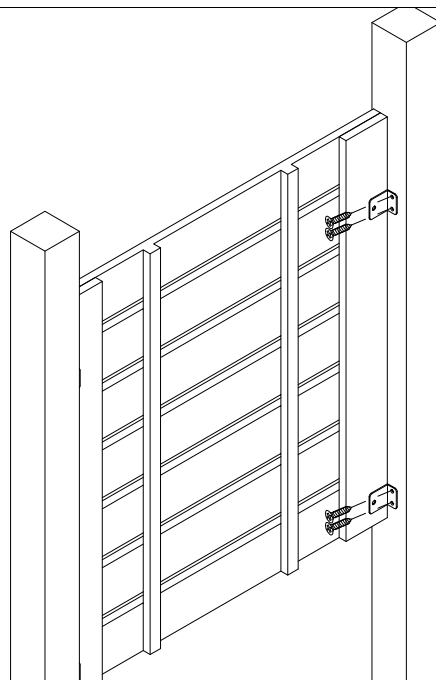
#### 66RW41-014-BJ01 Barrier Panel - Hardware Package



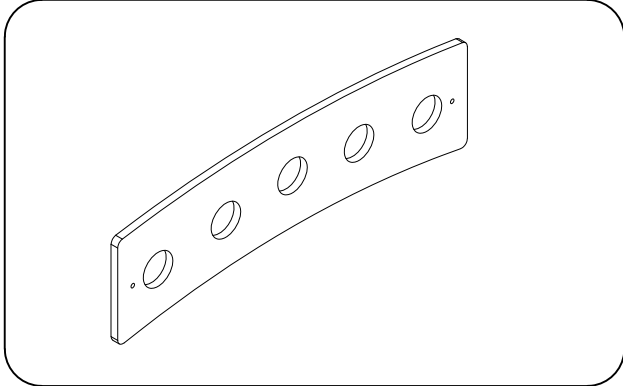
1



2

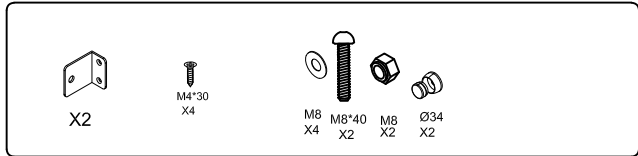


### 80PE-026 Entry Plate

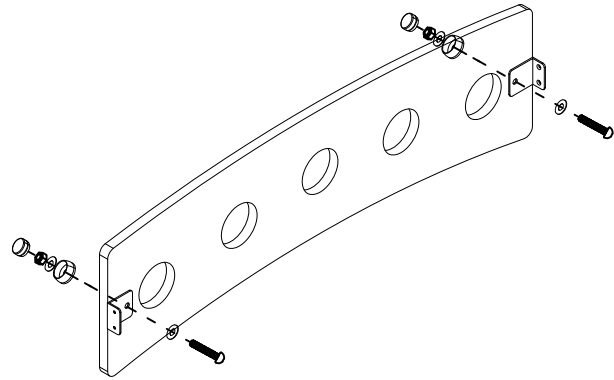
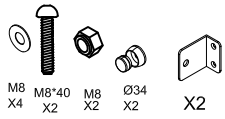


Use the corresponding hardware.

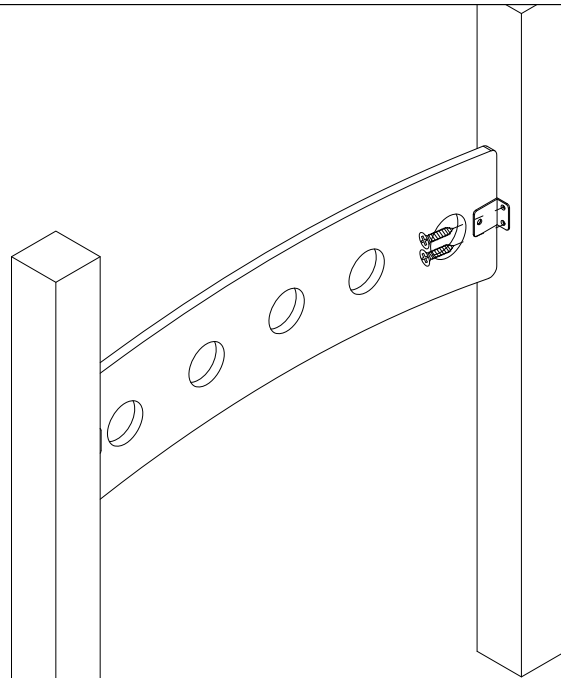
#### 80PE-026-BJ01 Entry Plate - Hardware Package



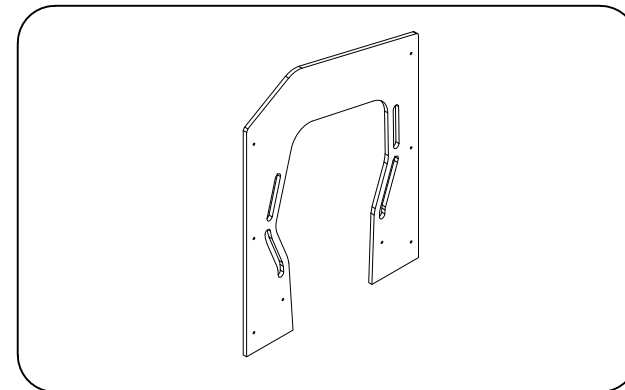
1



2

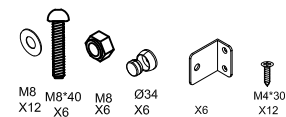


### 66RPE41-004 Single Slide Hood

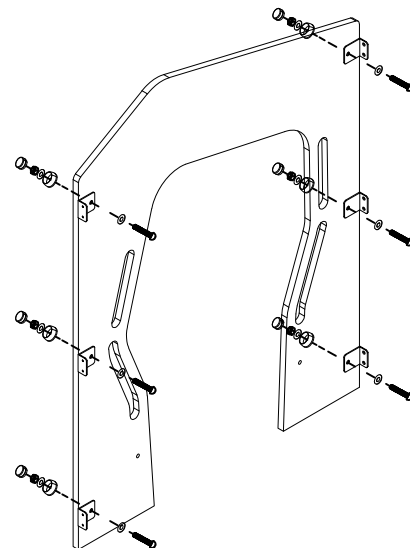
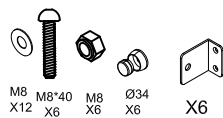


Use the corresponding hardware.

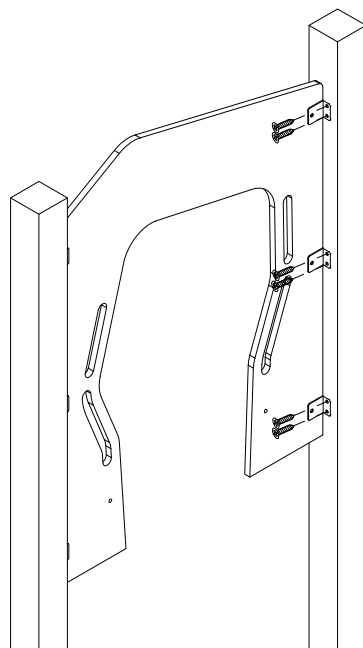
#### 66RPE41-004-BJ01 Single Slide Hood - Hardware Package



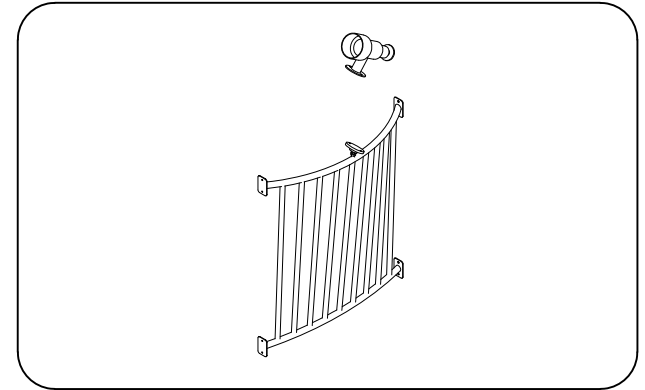
1



2

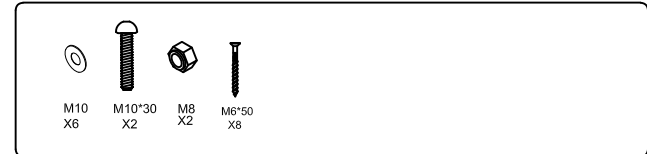


### 66RM41-004 Curved Barrier & Telescope

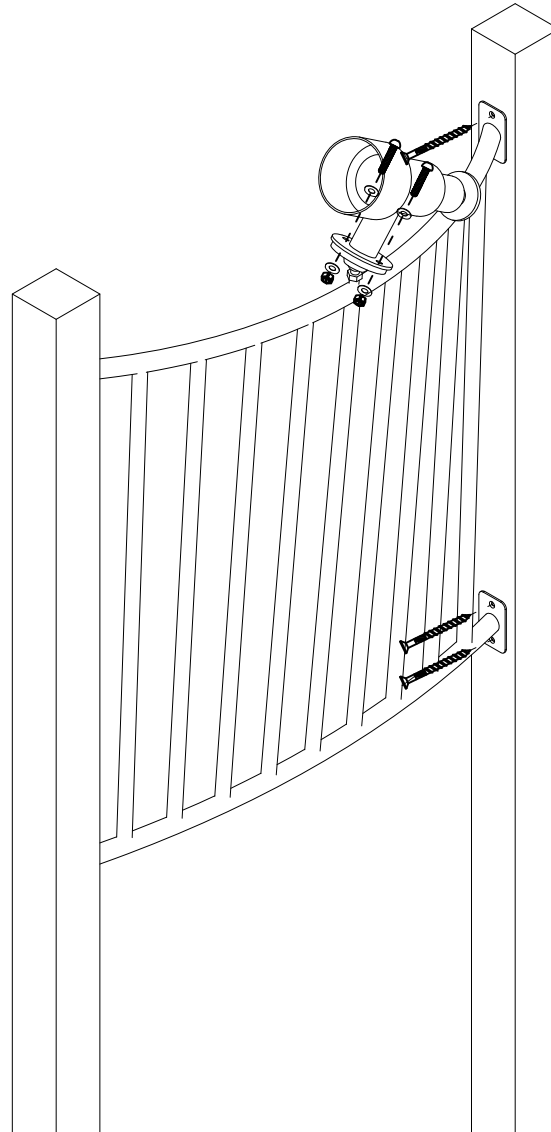
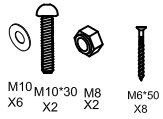


Use the corresponding hardware.

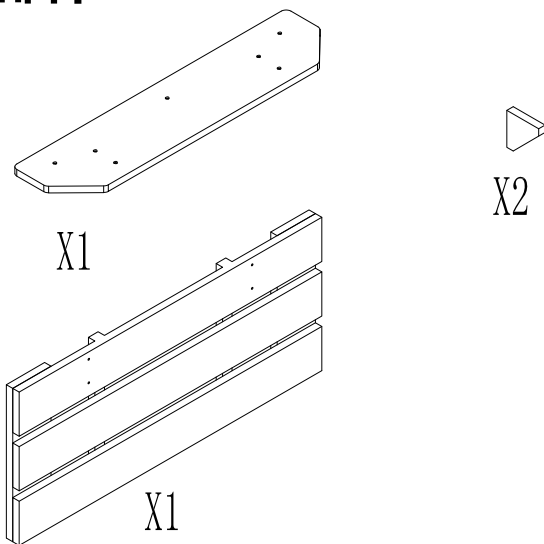
66RM41-004-BJ01 Curved Barrier & Telescope - Hardware Package



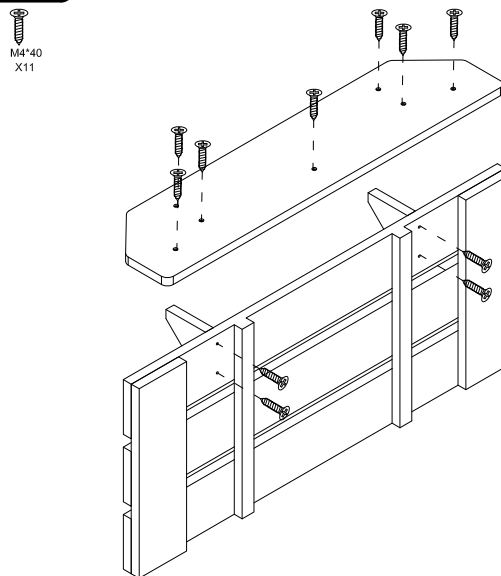
1



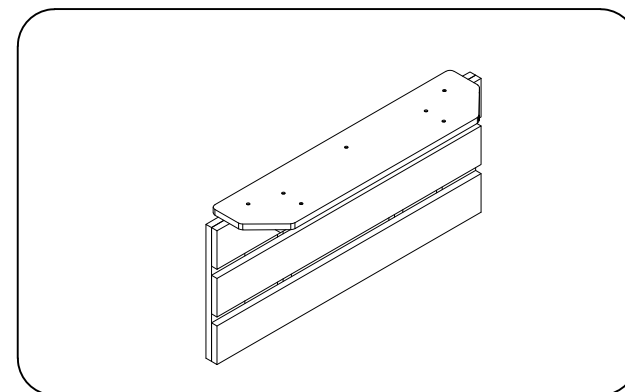
部件



**1**

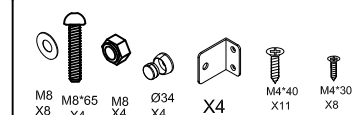


66RW41-019  
Counter Panel

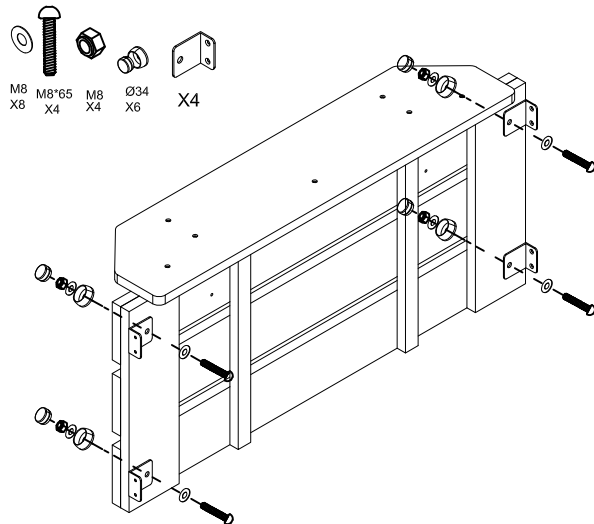


Use the corresponding hardware.

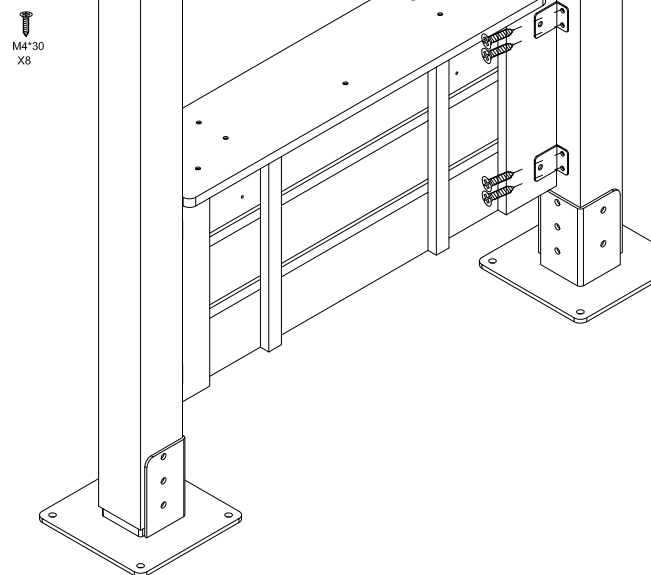
66RW41-019-BJ01 Counter Panel - Hardware Package



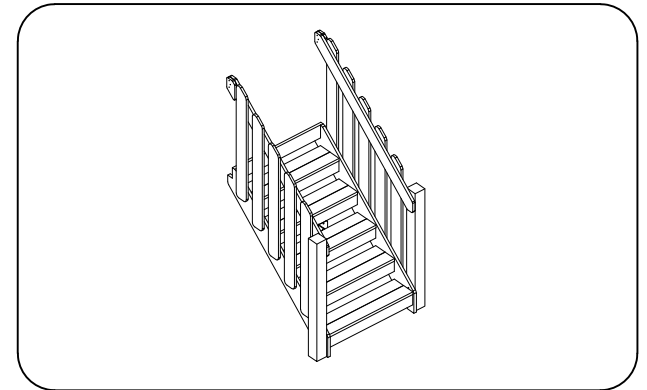
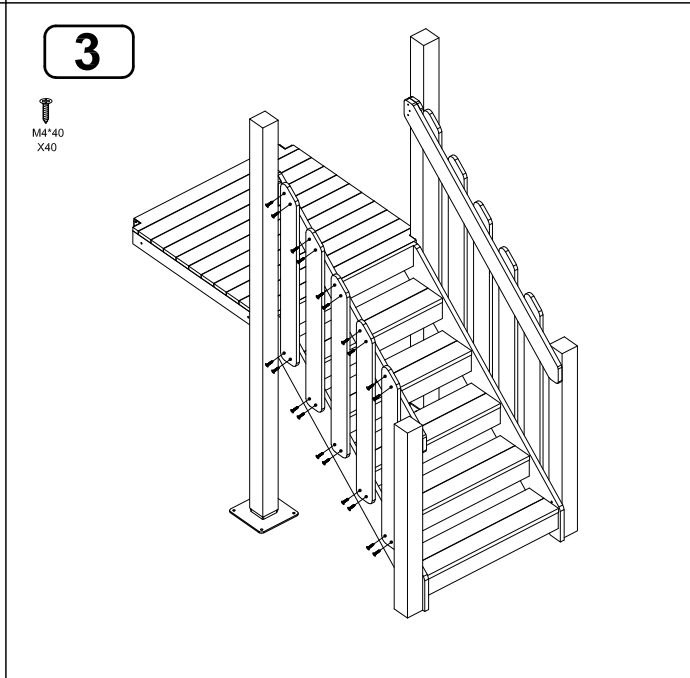
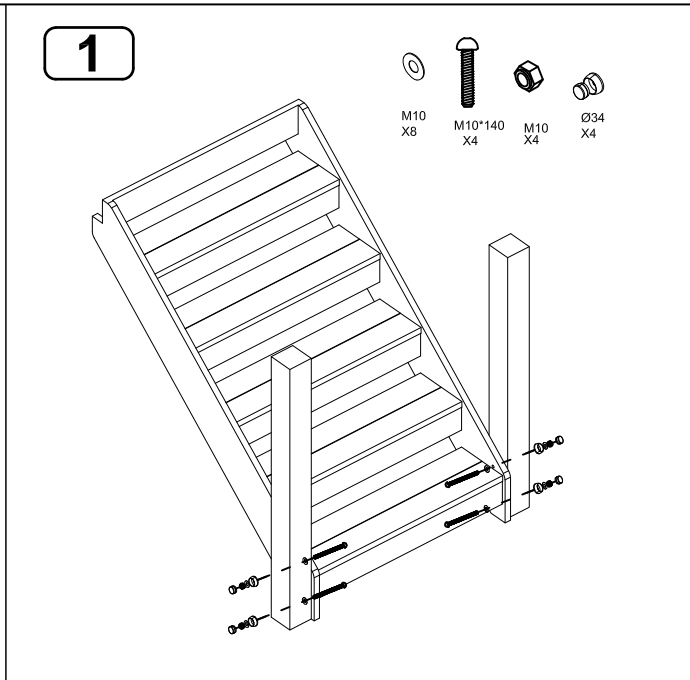
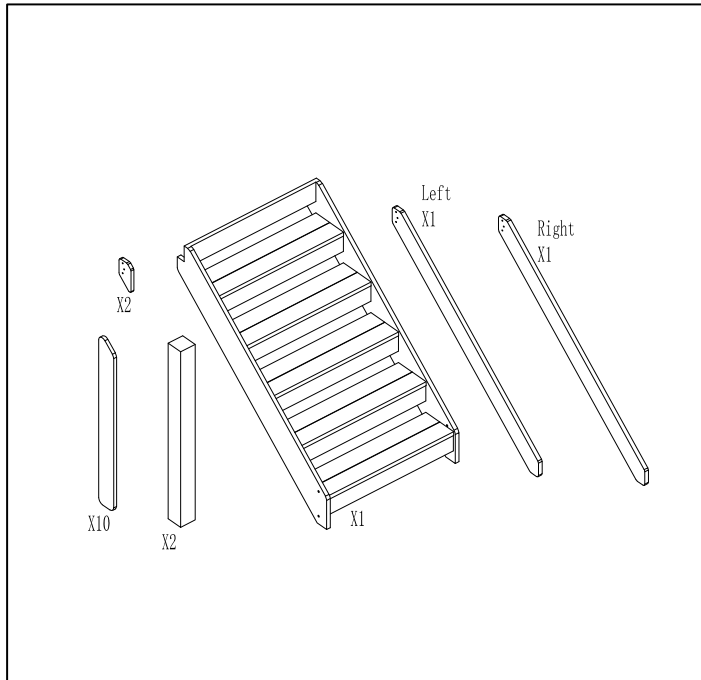
**2**



**3**

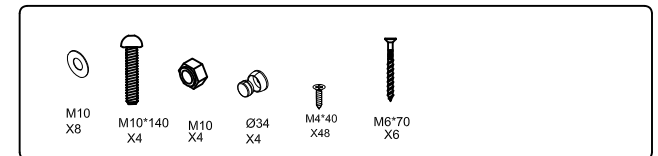


68SW120-001  
120cm Stairs

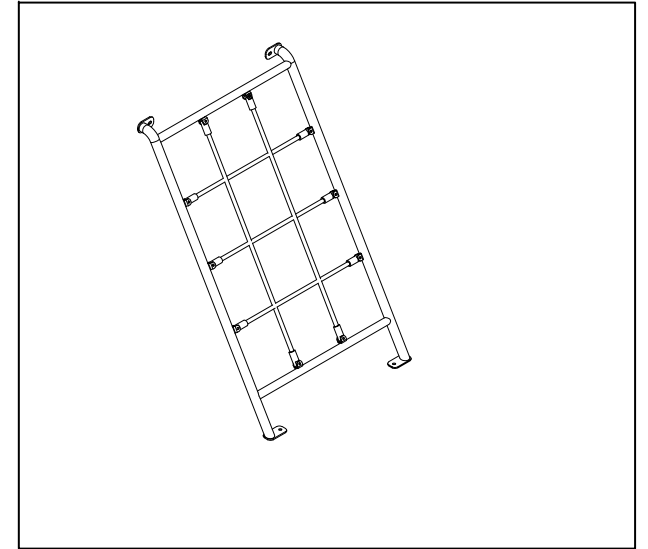
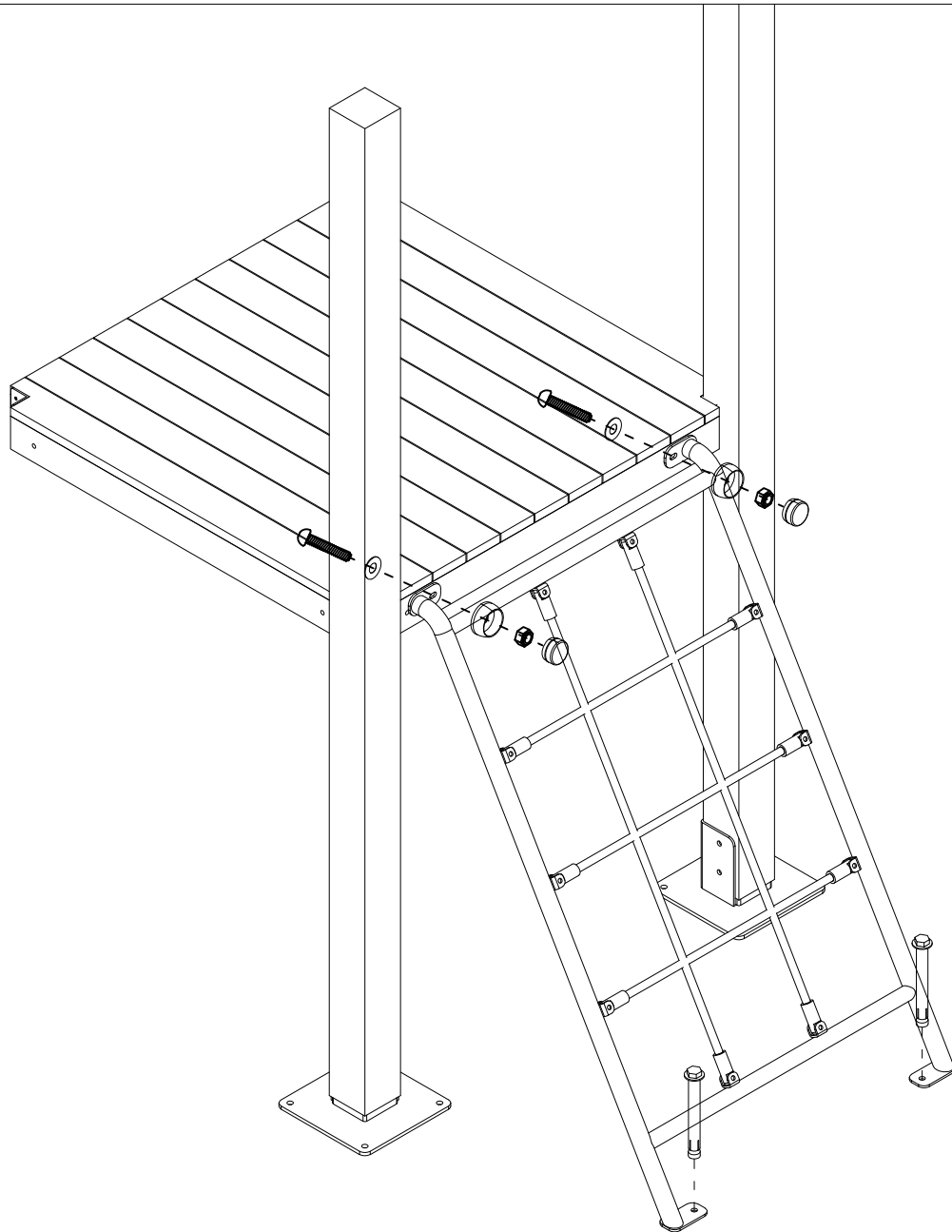


Use the corresponding hardware.

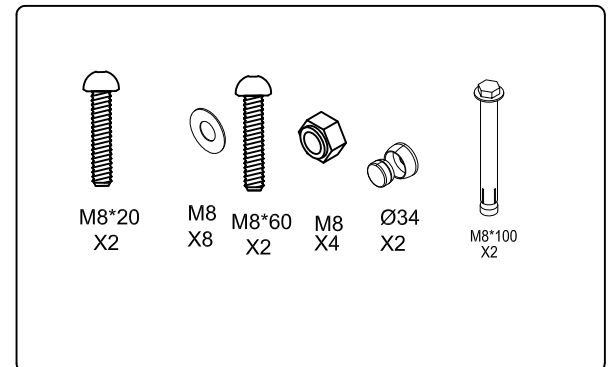
68SW120-001-BJ01 120cm Stairs - Hardware Package



63M120-001-111  
Net Climber

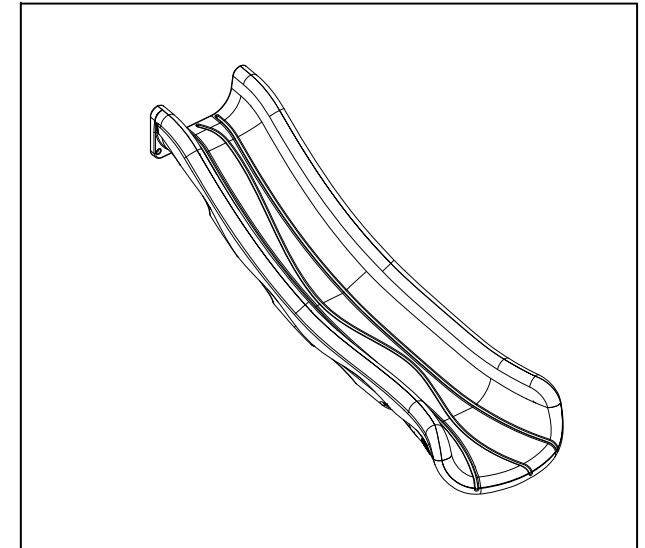
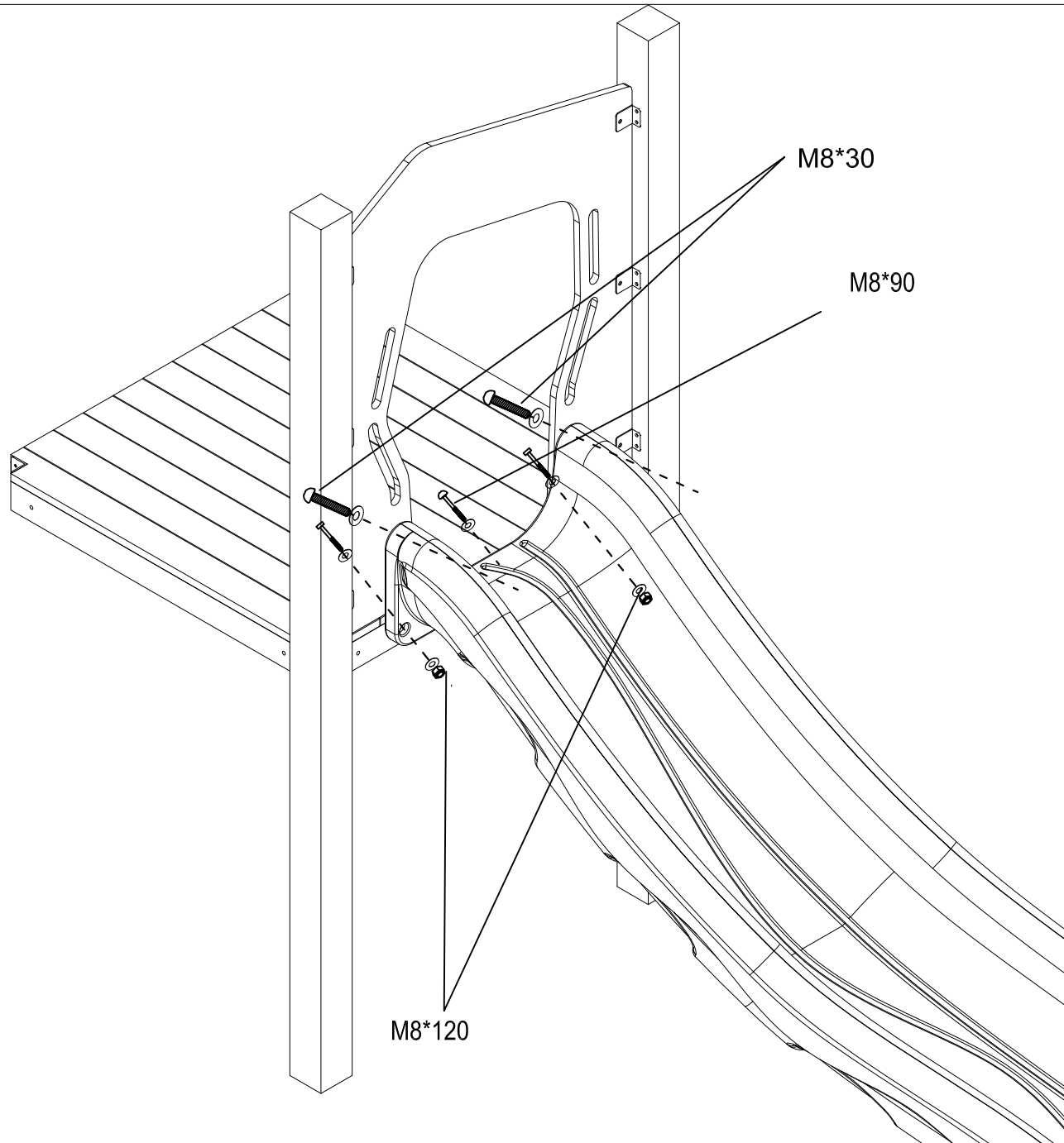


63M150-001-BJ03 Net Climber- Hardware Package

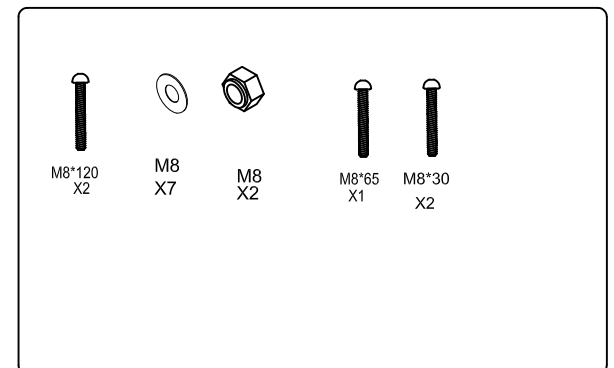


65-21002  
120cm Single Slide

1

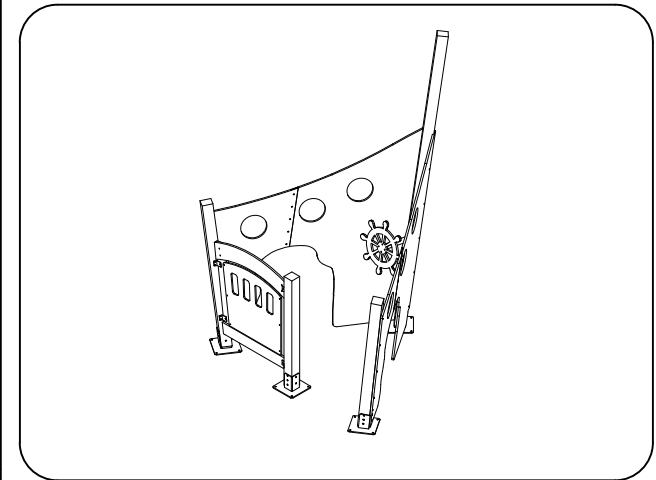
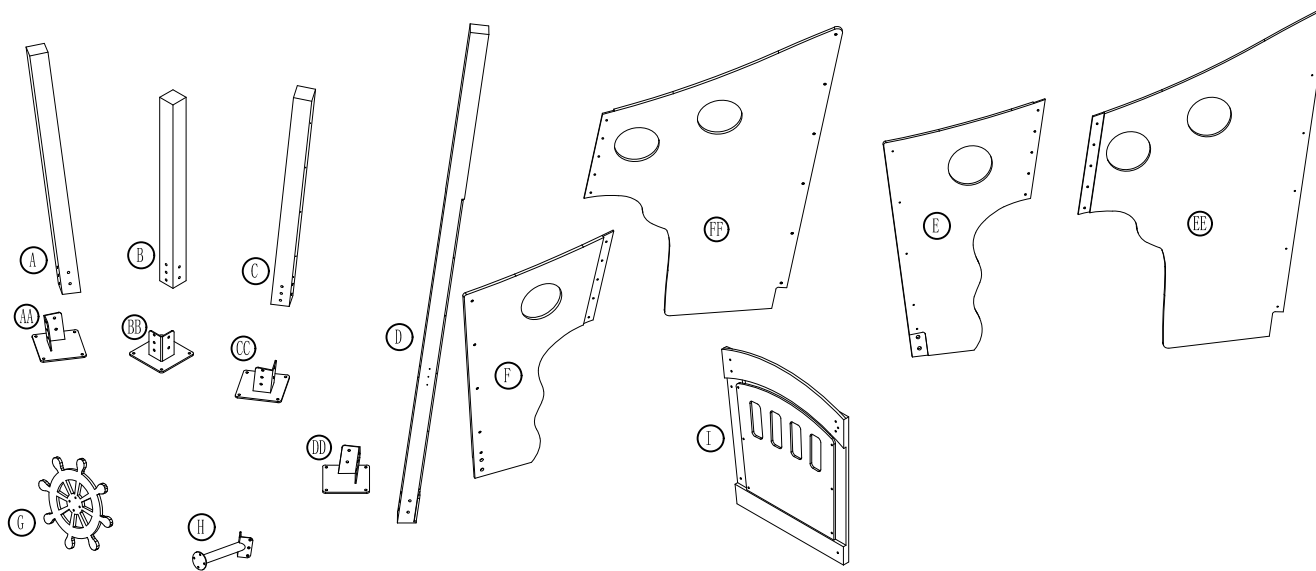


65-21002-BJ03 120cm Single Slide - Hardware Package

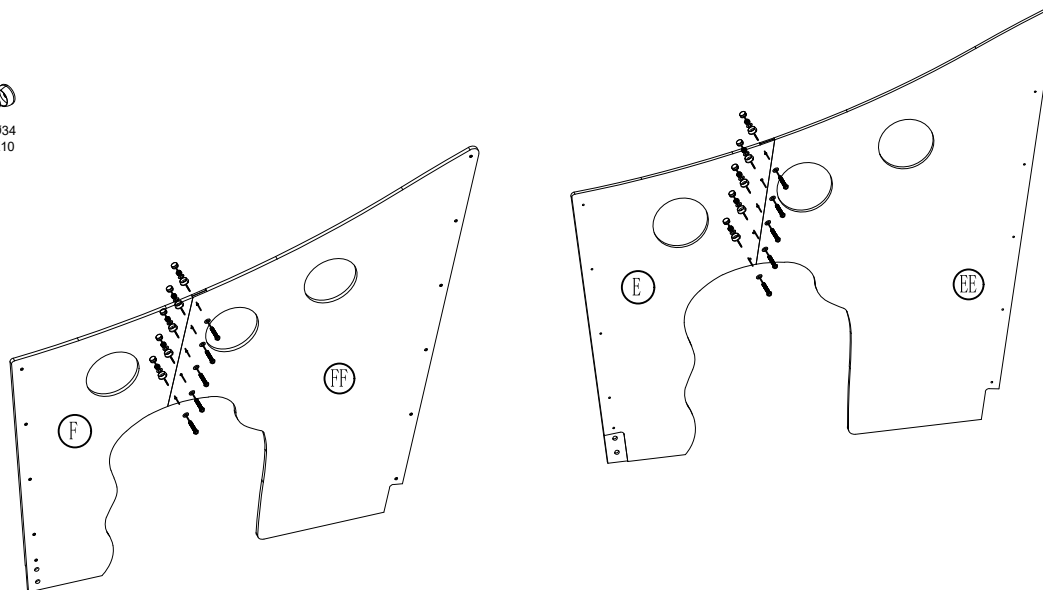
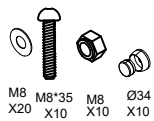




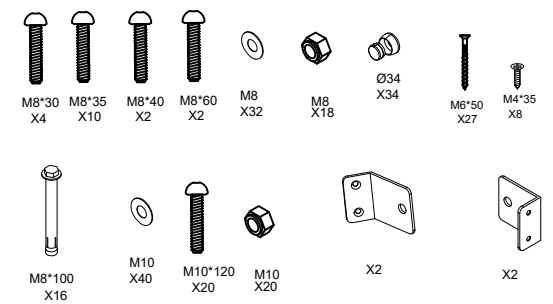
80PE-019  
Prow



1

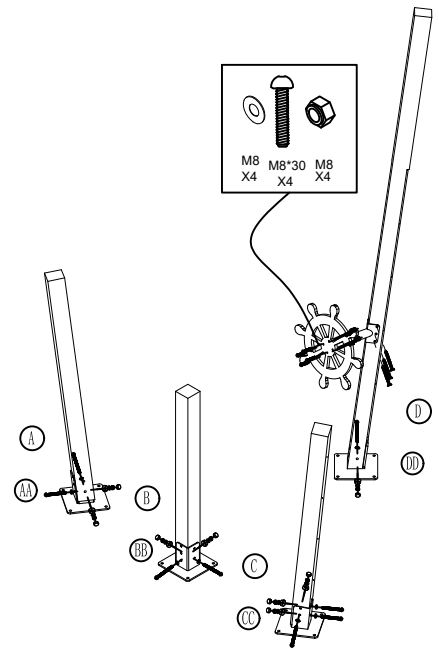


80PE-019-BJ01 Prow - Hardware Package



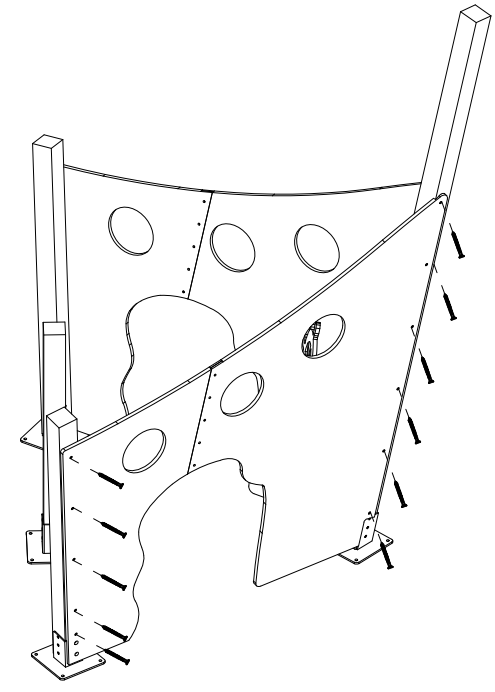
**2**

- M10 X40
- M10\*120 X20
- M10 X20
- Ø34 X20
- M6\*50 X5



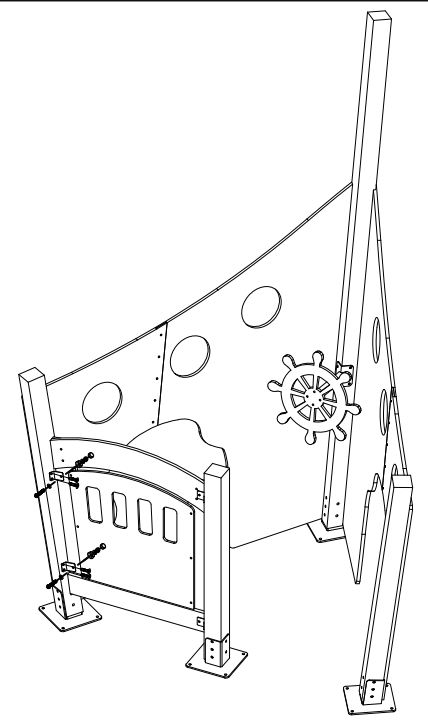
**3**

- M6\*50 X22



**4**

- M8 X8
- M8\*40 X2
- M8 X4
- Ø34 X4
- M4\*35 X8
- M8\*60 X2



**5**

- M8\*100 X16

